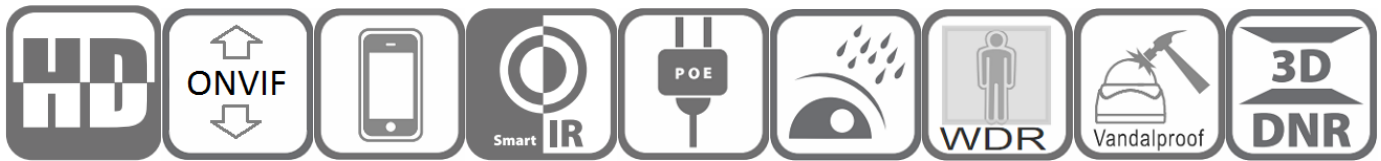


IP-102-5MP



CPCAM POE UHD 5MP IPCAM

FEATURES

- 1/3" CMOS sensor
- POE & DC12V Power
- Max. 5MP 2592 x 1944 output resolution
- Low illumination 0.1Lux
- Day/Night (ICR), AWB, AGC, BLC, IR-CUT
- D-WDR, Motion Detection, Privacy Mask, Mirror
- RTSP and Onvif 2.4 compatible
- H.264 dual-stream media server
- Easy-to-use P2P Cloud service
- Multiple web browser, PC Client, mobile APP remote access
- Optional customization Lens/Audio/POE, etc.
- Lightning protection 4000V
- Strong water-proof housing, IP66
- 30 pcs ϕ 5 IR Leds, IR distance 20-30 meters
- 2.8 – 12 mm VF lens

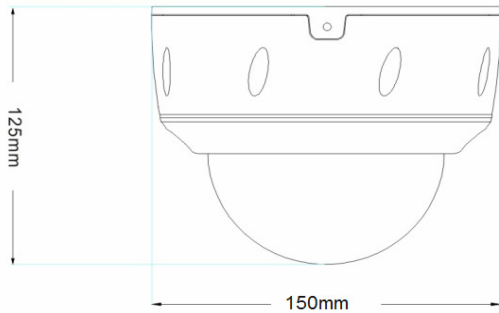
➤ SPECIFICATIONS

| | |
|-------------------------|---|
| Model | IP-102-5MP |
| Camera | |
| Image Sensor | 1/3" CMOS |
| Effective Pixels | 2688(H)×1520 (V) |
| Electronic Shutter | AUTO, 1/25s ~ 1/100000s |
| Min. Illumination | 0.1Lux@F1.2(AGC ON), 0Lux IR on |
| Day/Night | Auto/Color/(B/W)/Timing |
| WDR | Digital WDR |
| White Balance | Auto/Indoor/Outdoor |
| Back light | Support |
| DNR | 2D/3D DNR |
| Other | Motion Detection, Privacy Mask, Mirror, Flip |
| Encode | |
| Video Standard | H.264 |
| Video Resolution | Main Stream:15fps@5MP(2592x1944), 25fps@4MP(2592x1520), 30fps@3MP/1080P/720P Sub Stream: VGA(640x480)/360P/QVGA@25fps, etc. |
| Video Bitrates | 32Kbps - 8Mbps, VBR/CBR |
| OSD overlay | Support multiple lines characters overlay |
| IR Led | |
| IR Led | 30pcs IR Leds |
| IR Distance | 20-30 M |
| Lens | |
| Focal length | 2.8 – 12 mm VF lens |
| Network Services | |
| Protocol | RTSP/FTP/PPPOE/DHCP/DDNS/NTP/UPnP |
| P2P | Yes |
| Web | IE , Firefox, etc. |
| Media | CMS, Android, IOS |
| ONVIF | 2.4 compatible |

➤ SPECIFICATIONS

| General | |
|-------------------|-------------------------------|
| Network Port | 1-RJ45, 100Mbps, POE optional |
| Power Supply | 12 VDC \pm 10% |
| Power Consumption | < 8 W |
| Operating Temp. | -30°C-(+60)°C, 10%-90%RH |

DIMENSIONS



OPTIONAL BRACKET- BRACKET(102DV)

