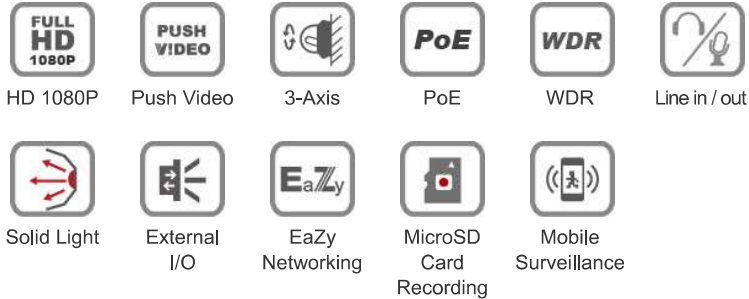


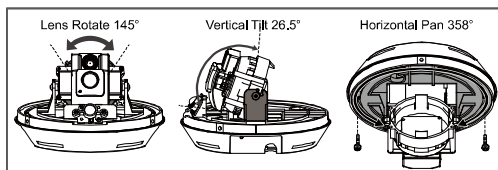
# AVM521C



## 2MP IR Dome IP Camera

### FEATURES

- **3-axis** mechanism for flexible ceiling and wall-mount installation



- **Free P2P Cloud EaZy Networking**
  - Cloud **EaZy Networking** available to connect this device to Internet automatically in three steps with our free mobile app, EagleEyes.
  - The **Buddy** feature to share the device access permission to other people.
  - Device login / out notifications reported.



- MicroSD card support (up to 64GB) for **video storage**
- **External alarm I/O device** connection

- **POE (Power-over-Ethernet)** support to eliminate the use of power cables and reduce installation costs
- **ONVIF (ONVIFS)** standard supported to simplify system integration
- **WDR** to increase image recognizability in overexposure and dark areas
- **Solid Light** series featuring better overexposure prevention (Advanced Smart Light Control), automatic adjustment of image brightness, and longer lifetime of LEDs
- **Microphone built-in** for audio recording, and **Line in / out** jacks available for audio transmission
- Smart Light Control to dynamically adjust image performance for clear and accurate images
- **Remote Surveillance**
  - **Fully compatible** with **iOS** and **Android** devices, and Internet Explorer on Windows operating system
  - Free PC program, **CMS Lite**, for 32CH devices monitoring on Windows operating system
  - **Push Video** available on your iOS and Android devices



## ● SPECIFICATIONS (CONTINUED)

■ Network	
LAN Port	YES
LAN Speed	10/100 Based-T Ethernet
Supported Protocols	DDNS, PPPoE, DHCP, NTP, SNTP, TCP/IP, ICMP, SMTP, FTP, HTTP, RTP, RTSP, RTCP, IPv4/IPv6, Bonjour, UPnP, DNS, UDP, IGMP, QoS, SNMP
ONVIF Compatible	YES (Profile S)
Number of Online Users	10
Security	(1) Multiple user access levels with password (2) IP address filtering (3) Digest authentication
Remote Access	(1) Internet Explorer on Windows operating system (2) CMS Lite, 32CH CMS software for Windows operating system (3) EagleEyes on iOS & Android mobile devices
■ Video	
Network Compression	H.264 (Main Profile) / MJPEG
Video Resolution	1920 x 1080 / 1280 x 720 / 720 x 480 / 352 x 240
Frame Rate	30/25fps
Multiple Video Streaming	4 (H.264, MJPEG)
■ General	
Image Sensor	1/ 2.8" SONY CMOS image sensor
Min Illumination	0.1 Lux / F1.5, 0 Lux (LED ON)
Shutter Speed	1/10,000 ~ 1/7.5 (Slow shutter)
S/N Ratio	More than 48dB (AGC off)
Lens	f3.8mm / F1.5
Viewing Angle	83.2° (Diagonal) / 73.2° (Horizontal) / 42.8° (Vertical)
IR LED	1 Unit
IR Effective Distance**	Default: up to 15 meters
PIR Sensor	Detection Range 76° wide angle with up to 5m long distance at 2.5m height (under 30°C)
IR Shift	YES
Smart Light Control	YES
White Balance	ATW
WDR	YES
AGC	Auto
IRIS Mode	AES
POE	YES (IEEE 802.3af)
Privacy Mask	YES
External Alarm I/O	YES (1 in / 1 out)
RAM	20MB
MicroSD Card Slot	YES (up to 64GB)
Operating Temperature	0°C ~ 40°C
Operating Humidity	90% or less relative humidity
Power Source (±10%)	12V / 1A
Current Consumption (±10%)	400mA
Power Consumption (±10%)	6W (PoE) ; 6W (PoN) ; 4.8W (DC Adapter)
Net Weight (kg)	0.45



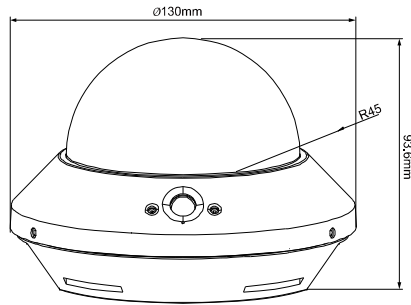
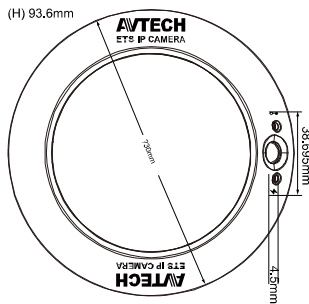
## ○ SPECIFICATIONS (CONTINUED)

■ Audio	
Microphone	YES (built-in)
Line in	YES (Mono)
Line out	YES (Mono)
■ Others	
Mobile Surveillance	iOS & Android mobile devices
EaZy Networking	YES
Event Notification	<b>Push Video</b> / FTP / Email / SMS
3-Axis	YES
Digital Pan / Tilt / Zoom	YES
Motion Detection	YES
RTC (real-time clock)	YES
Minimum Web Browsing Requirements	<ul style="list-style-type: none"> <li>• Intel core i3 or higher, or equivalent AMD</li> <li>• 2GB RAM</li> <li>• AGP graphics card, Direct Draw, 32MB RAM</li> <li>• Windows 10, Windows 8, Windows 7, Windows Vista &amp; Windows XP, DirectX 9.0 or later</li> <li>• Internet Explorer 7.x or later (Windows Edge not supported)</li> </ul>

\*The specifications are subject to change without notice.

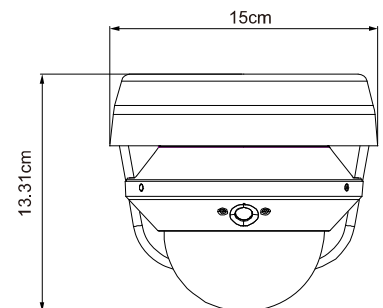
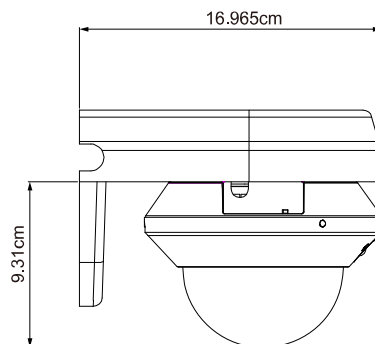
\*\* Using IR enhanced mode and slow shutter speed, the distance can be extended even longer.

## ○ DIMENSIONS



Dimensional tolerance: ± 5mm

## ○ OPTIONAL BRACKET



Dimensional tolerance: ± 5mm