

CPC101DV-1



2.1 MP 1080P HD TVI IR Dome Camera 2.8 ~ 12mm

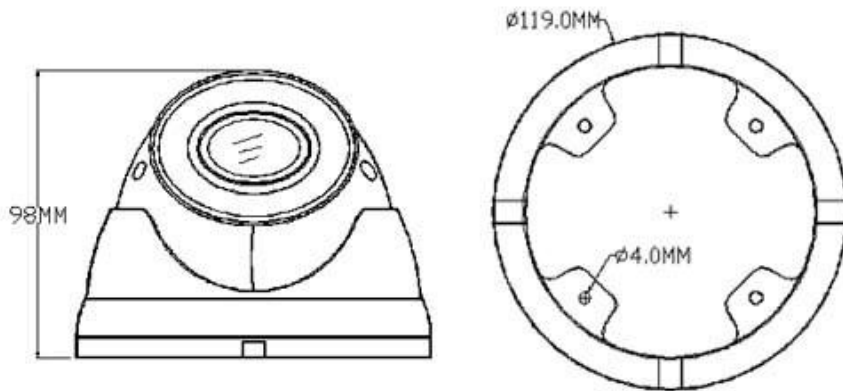
FEATURES

- 1/2.9" 2.1 Mega Pixels Sony CMOS sensor
- Full HD resolution 1920 x 1080P
- Ultra low illumination 0.017Lux
- Up to 500M long distance and real time monitoring
- OSD menu control up the coaxial cable (UTC)
- Day/Night (ICR), AWB, AGC, BLC, 2D/3D-DNR
- WDR, Slow-Shutter, Smart IR, Sense up, Defog
- Motion Detection, Privacy Mask, Mirror
- Lightning protection
- Strong vandal-proof housing
- 36 pcs IR Leds, IR distance 20-30 meters
- 2.8 – 12mm VF Lens
- TVI & CVBS Video Output
(CVBS Output for Analog 960H)

SPECIFICATIONS

Model	CPC101DV-1
Camera	
Image Sensor	1/2.9" 2.1 Mega pixels Sony CMOS
Effective Pixels	1984(H)×1105 (V)
Video Resolution	1080P@25/30fps
Electronic Shutter	AUTO, 1/25 - 1/50,000s, FLK, 1-30x
Min. Illumination	0.017Lux@F1.2(AGC ON), 0Lux IR on
Video System	PAL/NTSC
Video Output	1- BNC HDTVI, 1-BNC CVBS
Day/Night	Auto/Color/(B/W)/EXT
WDR	Digital WDR (1-8x)
White Balance	AWB/ATW/Indoor/Outdoor/Manual
AGC/BLC/HLC	Support
DNR	2D/3D DNR, multi-levels adjustable
OSD Menu	Multi languages OSD menu control up the coaxial cable (UTC)
Other	Defog, Motion, Privacy Mask, Mirror, Flip
IR Led	
IR Led	36 pcs ϕ 5 850nm IR Leds
IR Distance	20-30 M
Lens	
Focal length	2.8 - 12 mm VF lens
General	
Power Supply	12 VDC \pm 10%
Power Consumption	<5W
Operating Temp.	-20C -(+60)C, 10%-90%RH

DIMENSIONS



OPTIONAL BRACKET- BRACKET(A)

